

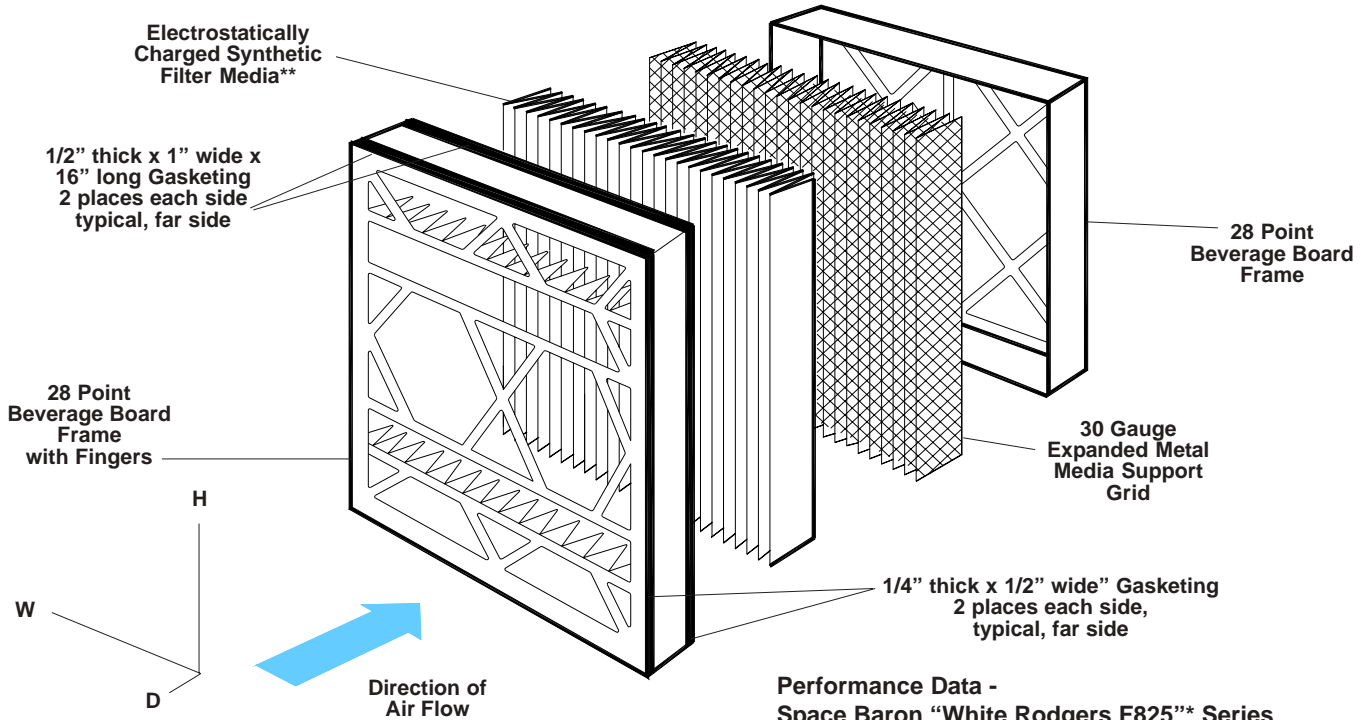
# QUALITY FILTERS, INC.

THINKSIMPLE. THINKSMART. THINKQUALITY.

23351 Grissom Drive  
 Robertsdale, AL 36567  
 www.QualityFilters.com

Phone: (251) 947-2400  
 Order Fax: (251) 947-2499  
 Sales Fax: (251) 947-7948

Quality Filters Space Baron White Rodgers* "F825" Series		
Date 18 Aug 10	Dwg No.	Rev
Date 18 Aug 10	<b>Q-110033</b>	<b>C</b>



### Performance Data - Space Baron "White Rodgers F825" Series

Product Code	ASHRAE 52.2 - 1999			Resistance "w.g."		
	MERV Value	E1 %	E2 %	E3 %	Initial @ 295 fpm	Final @ 295 fpm
SBWR4840	8	n/a	n/a	n/a	0.08	.50
SBWR48MQP	11	n/a	n/a	n/a	0.094	.50
SBWR48GQP	13	n/a	n/a	n/a	0.22	.50
SBWR48OB**	8	n/a	n/a	n/a	0.1	.50
SBWR4940	8	n/a	n/a	n/a	0.08	.50
SBWR49MQP	11	n/a	n/a	n/a	0.094	.50
SBWR49GQP	13	n/a	n/a	n/a	0.22	.50
SBWR49OB**	8	n/a	n/a	n/a	0.1	.50

#### Notes:

Space Baron White Rodgers\* "F825" Series Residential Air Cleaner replacement filters are 5" deep pleated Quality Pleats that are specifically designed to replace other comparably sized ducted air products. Space Baron White Rodgers\* "F825" Series are available in 3 efficiencies including: MERV 8, MERV 11, MERV 13 and Carbon medias.

#### Part Number Guide

Product Code	Description	Nominal Dimensions wxhxd	Actual Frame Dimensions w/o Gasketing wxhxd
SBWR4840	Type 40 - MERV 8	16" x 26" x 5"	15.8125" x 24.8125" x 4.375"
SBWR4940	Type 40 - MERV 8	20" x 26" x 5"	19.875" x 24.6875" x 4.25"
SBWR48MQP	MQP - MERV 11	16" x 26" x 5"	15.8125" x 24.8125" x 4.375"
SBWR49MQP	MQP - MERV 11	20" x 26" x 5"	19.875" x 24.6875" x 4.25"
SBWR48GQP	GQP - MERV 13	16" x 26" x 5"	15.8125" x 24.8125" x 4.375"
SBWR49GQP	GQP - MERV 13	20" x 26" x 5"	19.875" x 24.6875" x 4.25"
SBWR48OB	Odor Ban - MERV 8	16" x 26" x 5"	15.8125" x 24.8125" x 4.375"
SBWR49OB	Odor Ban - MERV 8	20" x 26" x 5"	19.875" x 24.6875" x 4.25"

\*Trade names and company names are used for identification purposes only.

Characteristics	Space Baron White Rodgers* "F825" Series
Filter Media - Particulate	100% synthetic gradient media, electrostatically charged
Filter Media - Odor Ban	Fine carbon powder bonded to lofted polyester media
Filter Support Grid	30 gauge galvanized expanded metal grid
Frame	Moisture resistant 28 point beverage board
Gasketing	Closed cell urethane foam
Assembly Technique	Media pack totally bonded to frame
Max. Temperature	180°F (82°C) continuous service, Peaks 225°F (107°C)
Max. Humidity	Resistant to 100% R.H.