

# QUALITY FILTERS, INC.

THINKSIMPLE. THINKSMART. THINKQUALITY.

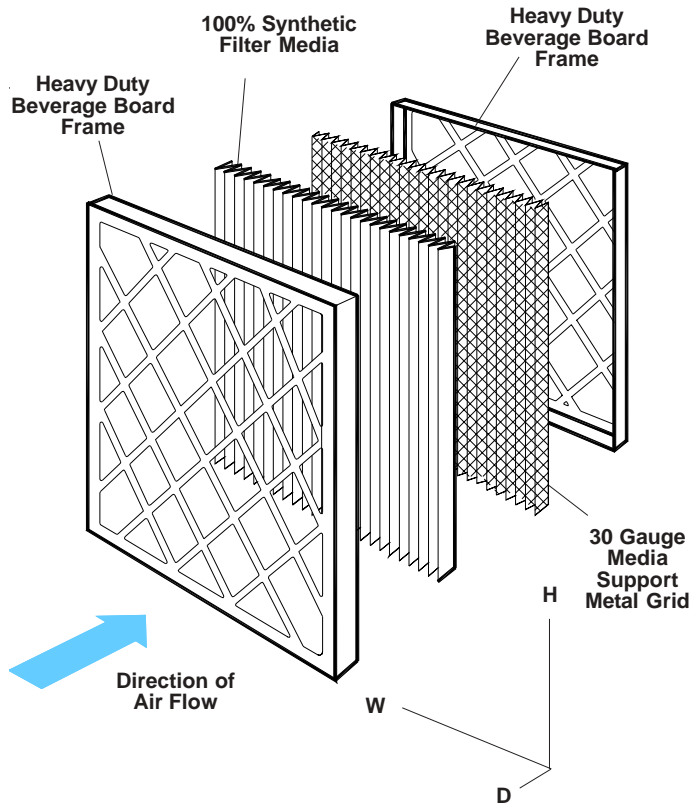
23351 Grissom Drive  
 Robertsdale, AL 36567  
 www.QualityFilters.com

Phone: (251) 947-2400  
 Order Fax: (251) 947-2499  
 Sales Fax: (251) 947-7948

<b>Quality DQP40 Pleated Filters</b>		
Date 23 Dec 11	Dwg No.	Rev
Date 23 Dec 11	<b>Q-110013</b>	<b>H</b>

## Part Number Guide

Product Code	Nominal Size w x h x d	Actual Size w x h x d	Flow Rate cfm	Media Sq. Feet
DQP4010101	10x10x1	9.5x9.5x.75	205	1.4
DQP4010161	10x16x1	9.5x15.5x.75	328	2.4
DQP4010201	10x20x1	9.5x19.5x.75	410	3
DQP4010241	10x24x1	9.5x23.5x.75	492	3.7
DQP4010251	10x25x1	9.5x24.5x.75	512	3.8
DQP4010301	10x30x1	9.5x29.5x.75	615	4.6
DQP4012121	12x12x1	11.5x11.5x.75	295	2
DQP4012151	12x15x1	11.5x14.5x.75	369	2.8
DQP4012161	12x16x1	11.5x15.5x.75	393	2.9
DQP4012181	12x18x1	11.5x17.5x.75	443	3.3
DQP4012201	12x20x1	11.8125x19.8125x.75	492	3.6
DQP4012221	12x22x1	11.5x21.5x.75	541	4
DQP4012241	12x24x1	11.8125x23.8125x.75	590	4.3
DQP4012251	12x25x1	11.5x24.5x.75	615	4.6
DQP4012301	12x30x1	11.5x29.5x.75	738	5.5
DQP4012361	12x36x1	11.875x35.875x.75	885	6.6
DQP4014141	14x14x1	13.5x13.5x.75	402	3
DQP4014181	14x18x1	13.5x17.5x.75	516	3.9
DQP4014201	14x20x1	13.5625x19.5625x.75	575	4.1
DQP4014241	14x24x1	13.5625x23.5x.75	688	5.1
DQP4014251	14x25x1	13.5625x24.5625x.75	718	5.2
DQP4014301	14x30x1	13.5x29.5x.75	860	6.4
DQP4015201	15x20x1	14.5625x19.5625x.75	615	4.4
DQP4015251	15x25x1	14.5x24.5x.75	768	5.7
DQP4015301	15x30x1	14.5x29.5x.75	922	6.9
DQP4016161	16x16x1	15.5x15.5x.75	524	3.9
DQP4016181	16x18x1	15.5x17.5x.75	590	4.4
DQP4016201	16x20x1	15.5625x19.5625x.75	654	4.7
DQP4016241	16x24x1	15.5x23.5x.75	787	5.8
DQP4016251	16x25x1	15.5625x24.5625x.75	836	5.9
DQP4016301	16x30x1	15.5x29.5x.75	983	7.3
DQP4016321	16x32x1	15.8125x31.8125x.75	1048	7.6
DQP4018181	18x18x1	17.5x17.5x.75	664	5
DQP4018201	18x20x1	17.5x19.5x.75	738	5.5
DQP4018221	18x22x1	17.5x21.5x.75	811	6.1
DQP4018241	18x24x1	17.5x23.5x.75	885	6.4
DQP4018251	18x25x1	17.5x24.5x.75	934	6.7
DQP4018301	18x30x1	17.5x29.5x.75	1106	8.3
DQP4020201	20x20x1	19.5625x19.5625x.75	836	5.9
DQP4020221	20x22x1	19.5x21.5x.75	901	6.7
DQP4020241	20x24x1	19.375x23.375x.75	983	7.1
DQP4020251	20x25x1	19.5625x24.5625x.75	1032	7.4
DQP4020301	20x30x1	19.625x29.625x.75	1229	9
DQP4022221	22x22x1	21.9375x21.9375x.75	992	7.4
DQP4024241	24x24x1	23.8125x23.8125x.75	1180	8.5
DQP4024301	24x30x1	23.5x29.5x.75	1475	11
DQP4025251	25x25x1	24.5x24.5x.75	1278	9.2
DQP4010202	10x20x2	9.5x19.5x1.75	688	5.9
DQP4012122	12x12x2	11.875x11.875x1.75	492	4.6
DQP4012202	12x20x2	11.5x19.5x1.75	836	7.4
DQP4012242	12x24x2	11.375x23.375x1.75	983	8.9
DQP4012252	12x25x2	11.5x24.5x1.75	1032	9.3
DQP4014202	14x20x2	3.5625x19.5625x1.75	959	8.9
DQP4014252	14x25x2	13.5625x24.5625x1.75	1195	11.1
DQP4015202	15x20x2	14.5625x19.5625x1.75	1023	9.6
DQP4016162	16x16x2	15.5x15.5x1.75	875	8.1
DQP4016202	16x20x2	15.625x19.625x1.75	1082	9.7
DQP4016242	16x24x2	15.5x23.5x1.75	1311	12.7
DQP4016252	16x25x2	15.625x24.625x1.75	1377	12
DQP4018182	18x18x2	17.5x17.5x1.75	1106	10.6
DQP4018202	18x20x2	17.5x19.5x1.75	1229	11.4
DQP4018242	18x24x2	17.5x23.5x1.75	1475	13.7
DQP4018252	18x25x2	17.5x24.5x1.75	1524	13.9
DQP4020202	20x20x2	19.625x19.625x1.75	1377	12.6
DQP4020242	20x24x2	19.375x23.375x1.75	1637	15.1
DQP4020252	20x25x2	19.625x24.625x1.75	1721	15.7
DQP4020302	20x30x2	19.5x29.5x1.75	2048	20
DQP4022222	22x22x2	21.9375x21.9375x1.75	1654	15.3
DQP4024242	24x24x2	23.375x23.375x1.75	1967	17.8
DQP4024302	24x30x2	23.5x29.5x1.75	2458	21.6
DQP4025252	25x25x2	24.5x24.5x1.75	2124	19.4
DQP4025282	25x28x2	24.5x27.5x1.75	2360	21
DQP4012244	12x24x4	11.4375x23.4375x3.5	983	14.2
DQP4016204	16x20x4	15.625x19.625x3.5	1082	15.7
DQP4016254	16x25x4	15.625x24.625x3.5	1377	19.7
DQP4018244	18x24x4	17.625x23.625x3.5	1475	21.3
DQP4020204	20x20x4	19.625x19.625x3.5	1377	19.7
DQP4020244	20x24x4	19.4375x23.4375x3.5	1622	23.7
DQP4020254	20x25x4	19.625x24.625x3.5	1721	24.7
DQP4024244	24x24x4	23.375x23.375x3.5	1967	28.4
DQP4025294	25x29x4	24.625x28.625x3.5	2458	35.7



### Notes:

DQP40 Pleated Filters are available in 1", 2" and 4" depth. The 100% synthetic graduated density media is continuously bonded to a 30 gauge galvanized, corrosion resistant, expanded metal support grid with an effective open area of 96%. The media is resistant to a wide range of chemicals, does not absorb moisture and will not support microbial growth.

The controlled pleat spacing maximizes surface area and dust holding capacity and is bonded to the enclosure frame to prevent dust bypass.

The enclosure frame is constructed of high wet strength moisture resistant beverage board. The diagonal support members of the frame are bonded to the entering and exiting apices of each pleat to prevent pleat collapse and filter bowing.

### Performance Data

Product Code	Initial Resistance " w.g. @ Rated Flow See Chart	Final Resistance " w.g.	ASHRAE 52.2 - 1999				
			MERV Value	E1 %	E2 %	E3 %	
DQP40 - 1"	0.15	-	1.0	8	12.6	41.9	70.6
DQP40 - 2"	-	0.252	1.0	8	16.9	46.4	70.5
DQP40 - 4"	-	0.224	1.0	8	16.6	46.8	70.7

### Characteristics DQP40 Pleated Filters

<b>Filter Media</b>	100% synthetic gradient media
<b>Filter Support Grid</b>	30 gauge galvanized expanded metal grid
<b>Frame</b>	Moisture resistant double wall beverage board
<b>Assembly Technique</b>	Media pack totally bonded to frame
<b>Max. Temperature</b>	180°F (82°C) continuous service, Peaks 225°F (107°C)
<b>Max. Humidity</b>	Resistant to 100% R.H.
<b>Flammability</b>	U.L. 900, Class 2

Pleats per linear foot 1" depth = 16, 2" depth = 15, 4" depth = 11.